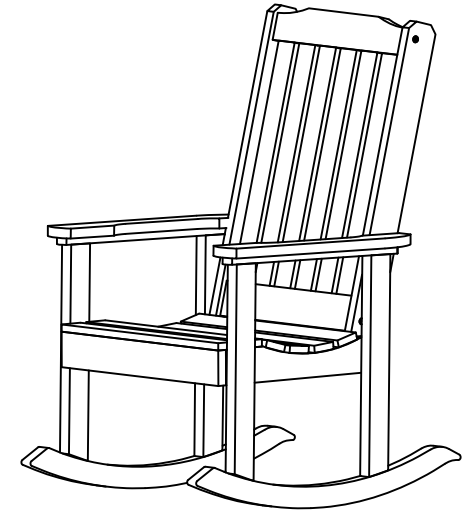
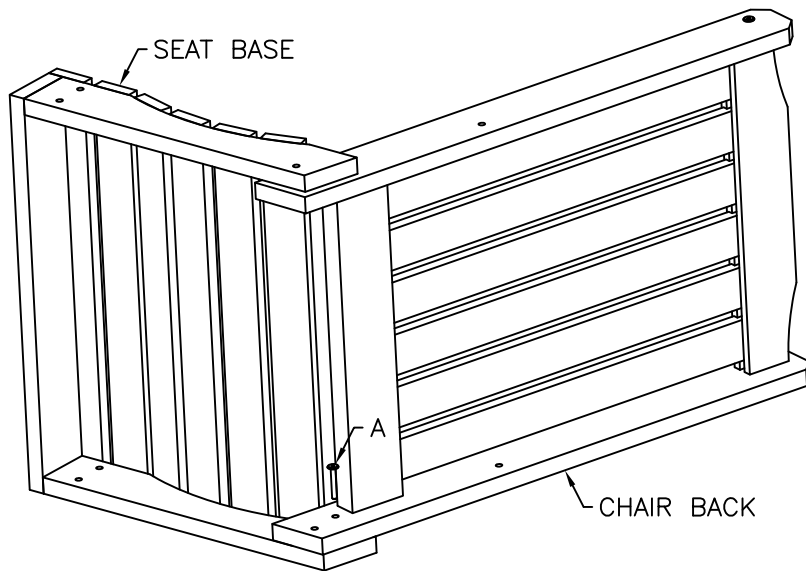
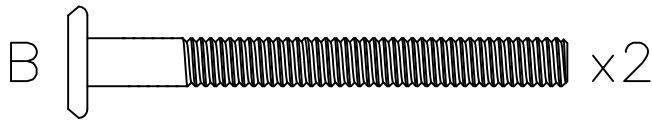
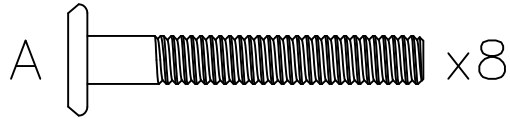


Do not fully tighten the bolts until all bolts are started. Once all bolts are inserted, then go back and tighten all the bolts.

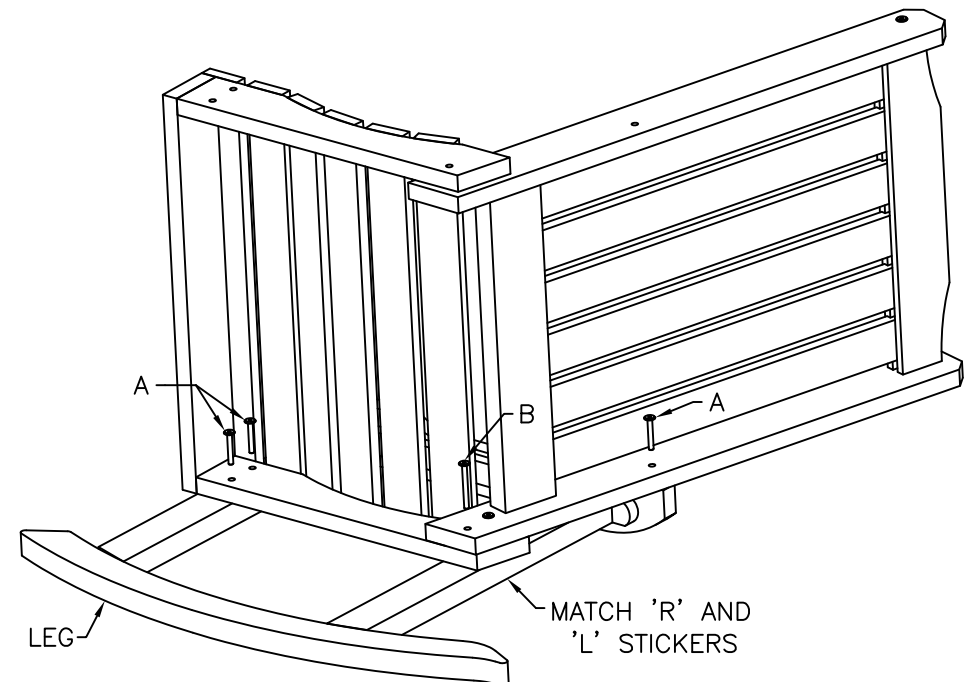
LEHIGH COLLECTION ROCKER ASSEMBLY INSTRUCTIONS



HARDWARE



- 1) Attach Chair Back to Seat Base using one A bolt in the upper hole
- 2) Repeat on other side



- 3) Attach the Leg Assembly to the Seat Base using three A bolts and one B bolt as shown above
- 4) Repeat on other side

RKCH1
12.12.13

highwood[®]
NATURE'S CLOSEST RIVAL

For information on Care and Cleaning your **highwood**[®] product visit www.highwood-usa.com/care.html
Visit our Website and Facebook page to see more **highwood**[®] products!
www.highwood-usa.com www.facebook.com/highwoodUSA

PAGE 1 OF 1